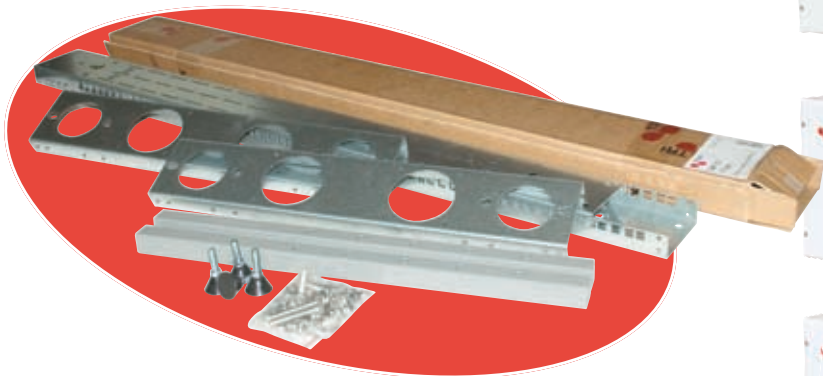


TRIAX Product Info

Triax mounting frame TMF 512

New possibilities with the new open 19" mounting frame

With the new open 19" mounting frame Triax offers you a quite new and functional mounting solution for your headend.



Must your headend be locked up twice ?

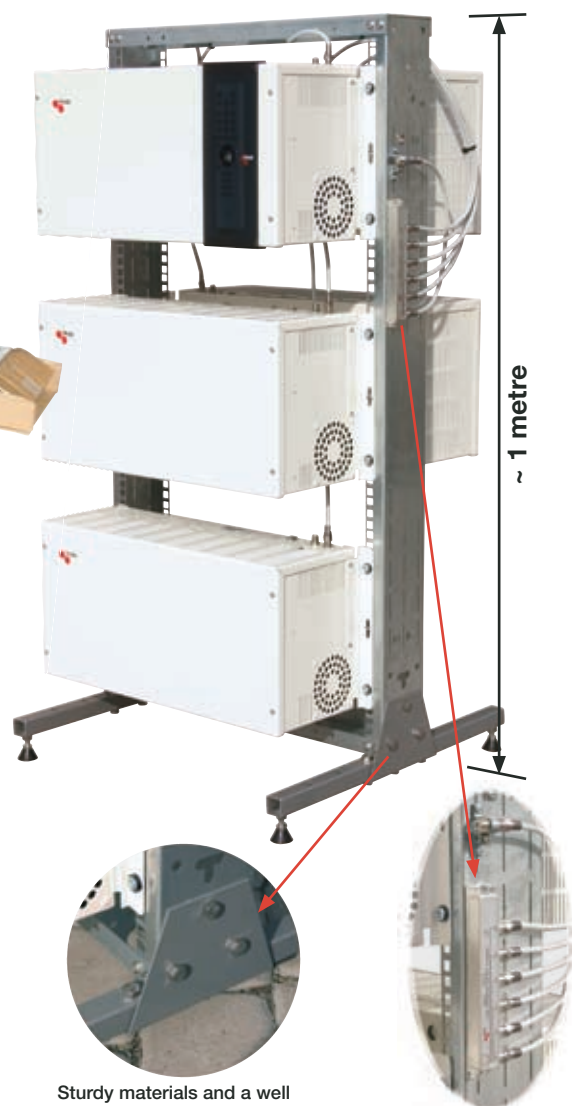
Of course not – as it is already placed in a locked room. This means that you can take advantage of the features offered you by the new open frame of a compact, professional installation with easy access from all sides.

Room for more and excellent contact

The passive components such as splitters, taps, multiswitches and 230V connections are mounted on the side of the frame, resulting in an assembled, easy-to-inspect and servicefriendly installation. The mounting frame is made from galvanised steel and comes unpainted in order to provide optimal electric contact to a solid earthing.

Takes up very little room

The mounting frame has been packed to take up a minimum of space in the warehouse, workshop or the service van. When the need arises, the mounting frame is easily assembled by means of a few spanners and the supplied instructions.



Sturdy materials and a well thought-out design ensure an excellent and stable 19" rack.

Safe mounting of taps, splitters etc.

- see article numbers and accessories on page 2

Simply more
- more simply

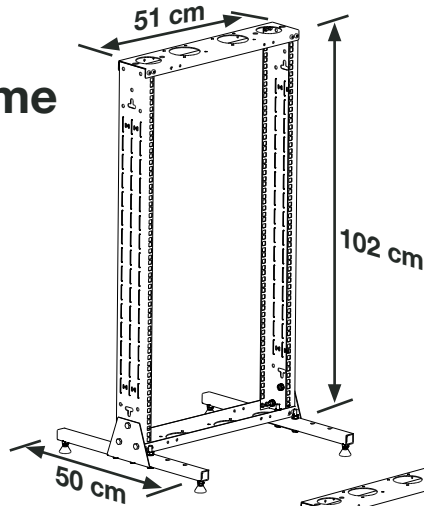


TRIAX

Product Info

Triax mounting frame TMF 512

Type: TMF 512 basic frame
Article No.: 251512



Accessories

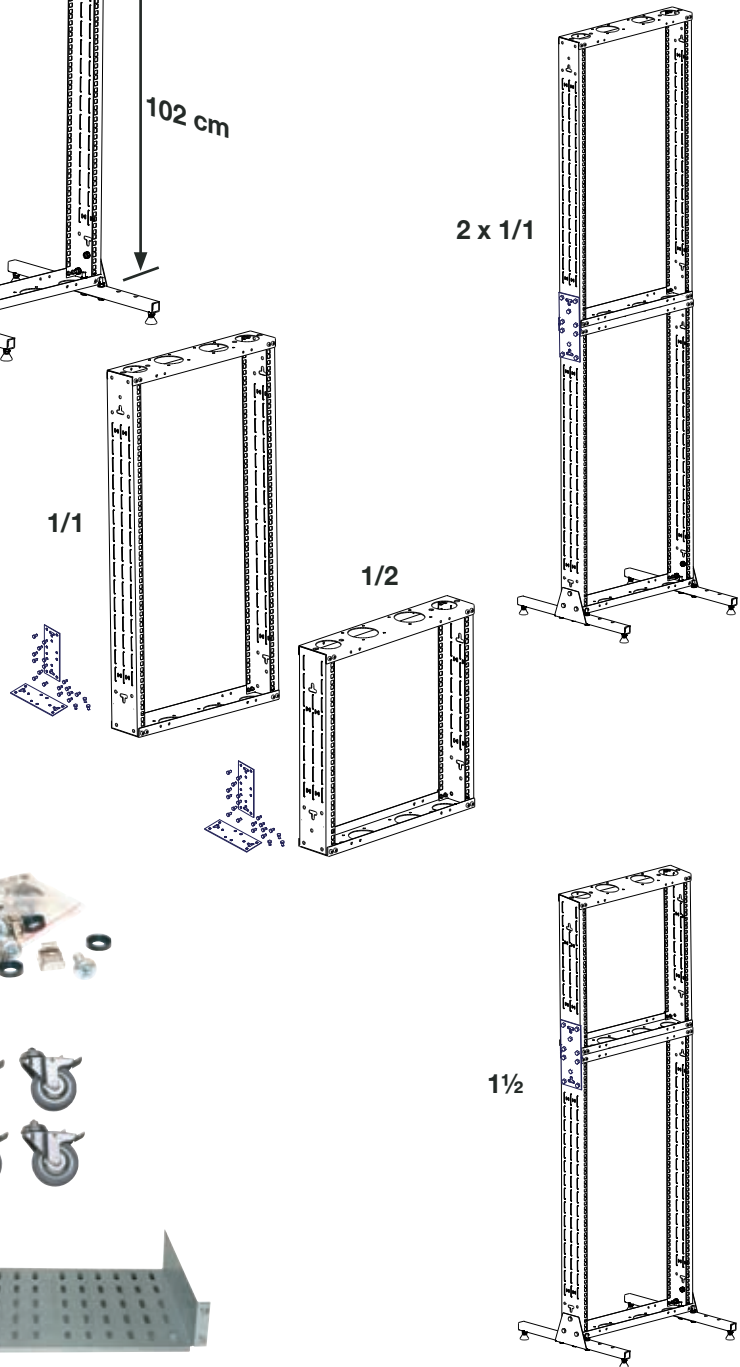
Type: 1/1 frame
- with assembly fittings
Article No.: 251513

Type: 1/2 frame
- with assembly fittings
Article No.: 251514

Type: Set of screws for components, including:
10 nut bushings
10 plastic washers
10 M6x8 screws
Article No.: 747040

Type: Set of wheels,
including 4 wheels
Article No.: 737030

Type: Shelf for 19" rack (black)
BxHxD 44.45 x 81 x 270 mm
Article No.: 251496



Simply more
- more simply

 **TRIAX**