

1 Installation Materials and Tools

Packing list: Before installing the CPE, verify that you have all the items listed in the packing list. If any of the items is missing or damaged, contact your LTE device vendor.

Item	Description	Qty.	Unit
	Outdoor unit (ODU)	1	EA
	Quick start guide	1	EA
	Board mounting kit	1	EA
	M6 Expansion bolt For mounting on a wall	4	EA

Tool	Description	Qty.	Unit
	Hose clamp for pole installation ($\phi 48$ mm to $\phi 114$ mm)	2	EA
	Cat5e network cable ¹ (1m) for connecting the PSU and PC	1	EA
	Power supply unit (19V)	1	EA
	Waterproof connector	1	EA

If you need to install mounting kits on wood materials, prepare screws (recommended model: ST4.2 with length ≥ 25 mm).
An outdoor Ethernet cable requires a PVC conduit and must be installed far away from the parapet and lightning strip (recommended distance: more than 0.5m).
If an Ethernet cable is routed within a street lamp pole, no PVC conduit is required.

Prepare the following tools:

Tool	Description	Qty.	Unit
	M6 inner hexagon wrench	1	EA
	Phillip's screwdriver	1	EA
	Adjustable wrench	1	EA

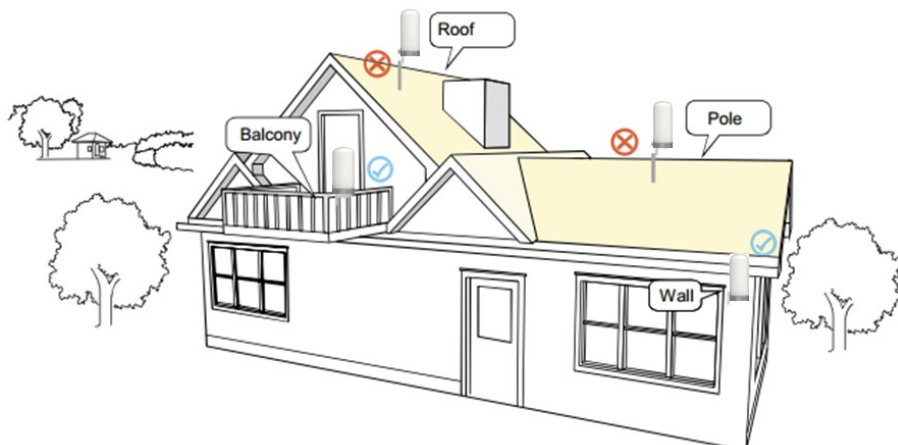
Tool	Description	Qty.	Unit
	Cat5e Ethernet cable ¹ for connecting the ODU and PSU	1	EA
	Rubber hammer Optional for wall installation with it	1	EA
	Percussion drill	1	EA

2 Installation Location Selection

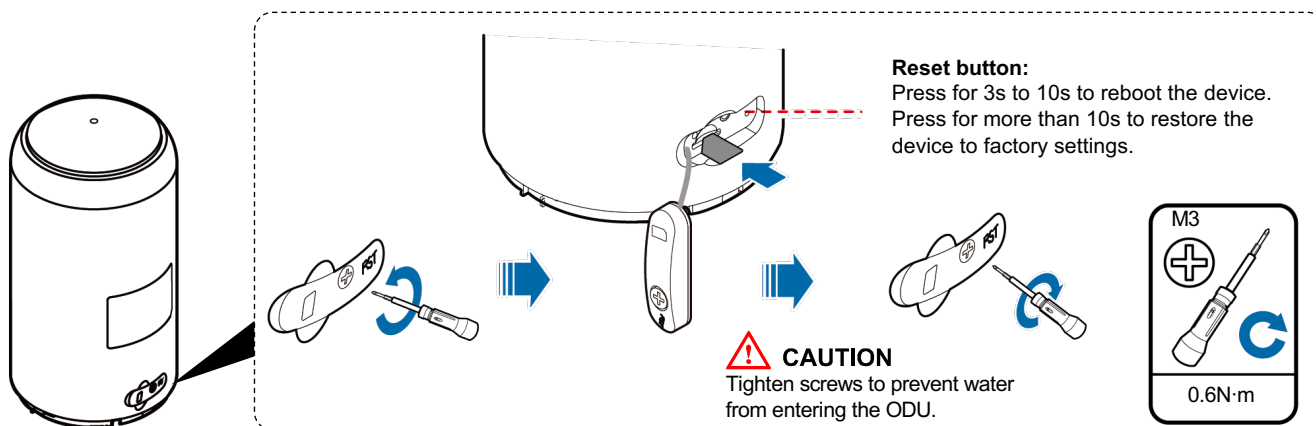
1. Find an area for installation.

An ODU is an LTE wireless signal reception and transmission unit. Pay attention to the following points when selecting an installation location:

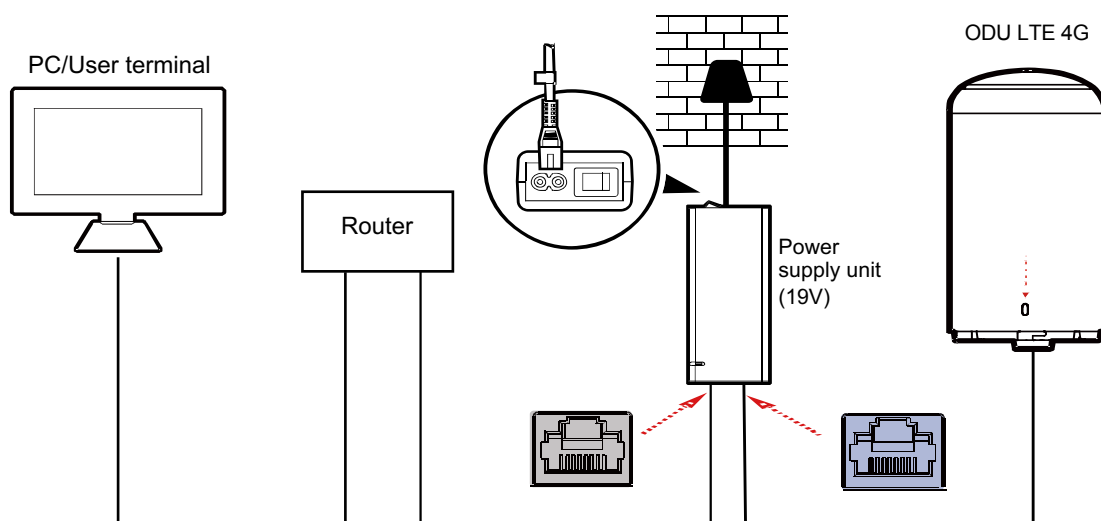
- You are advised to install an ODU in a recommended location, such as a balcony or a wall shown in the right figure.
- You are advised not to install an ODU on an open rooftop or platform, as indicated by red crosses in the following figure. Otherwise, ODU performance deteriorates.



2. Insert a micro-SIM (3FF) card to the ODU.



3. Connect cables and power on the device.



- CAUTION**
- Automatic IP address obtaining needs to be configured for PCs/user terminals.
 - The WAN/PWR interface can be connected to only the ODU. This interface may damage the PCs or other devices.

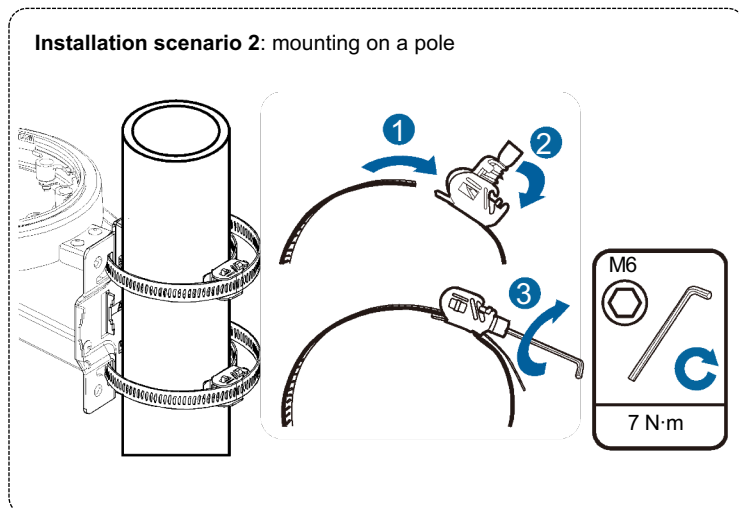
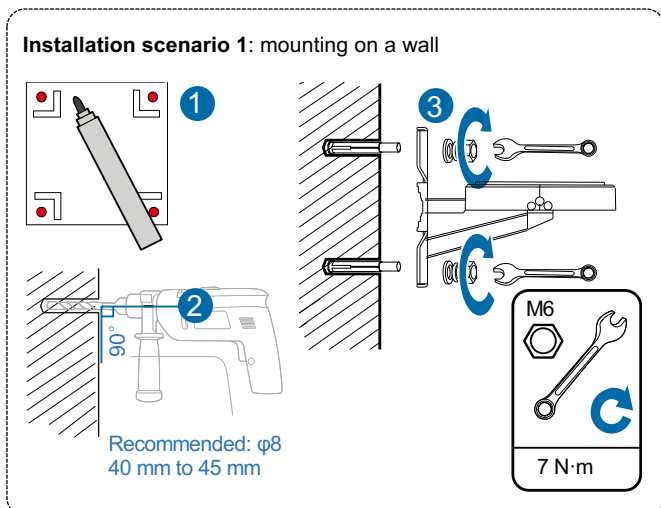
4. Select a location with best signal quality.

- Move the ODU in the installation area. Observe the signal indicator to select a location with best signal quality (**strong LTE signals**).
- For other indicator statuses, see the following table.

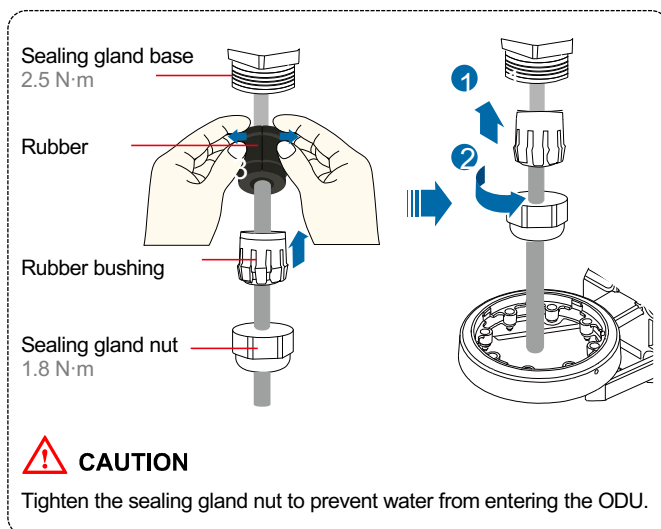
Color	LED Status	Status Indication
Off		Powered off
Red	Steady on	An error occurs, the device is faulty, or there is no SIM card.
	Blinking	Upgrading
Green	Blinking	Booting up
Green	Steady on	Strong LTE signals: recommended for installation
Blue	Steady on	Medium LTE signals: suitable for installation
Yellow	Steady on	Weak LTE signals: recommended for location reselection
Yellow	Blinking	No LTE signals are available, the device is searching for signals, or the device is disconnected.

3 ODU Installation

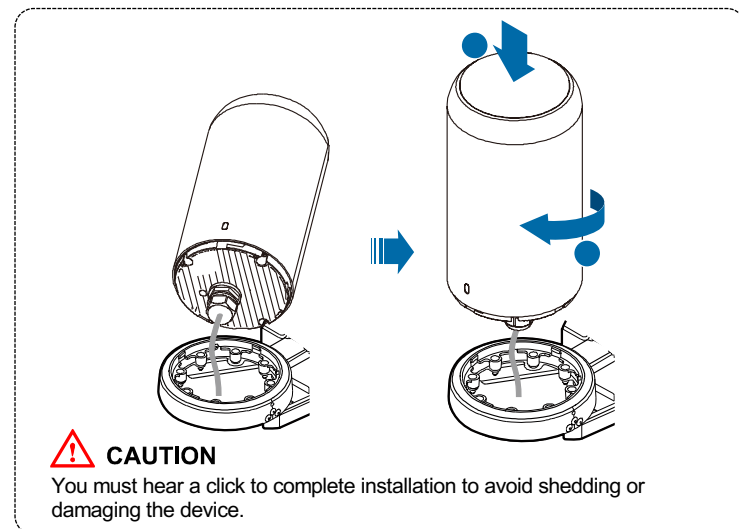
1. Install mounting kits. (For the board component, go to step 3 after step 1 is completed.)



2. Connect the waterproof connector and ODU. Install components for the waterproof connector in the sequence shown in the following figure.



3. Align mounting kits and rotate the device clockwise in the lock direction until it fully stops. Determine the direction of the ODU indicator as required. You can rotate the ODU counterclockwise to remove it.



4. Connect ODU and PSU and power on the ODU. See step 3 ([Connect cables and power on the device](#)) in part 2 [Installation Location Selection](#).

CAUTION

- The ODU must be powered on within 24 hours after unpacking.
- The ODU must not be powered off for 24 hours or longer during maintenance.
- Otherwise, condensation may occur naturally, and may cause short circuit or rust.

4 Optional Configuration

Users can access the WebUI and configure the device using the following method:
Open a web browser on a PC and enter the IP address in the address bar. Then, enter the user name and password. The information you need is as follows.

IP address: 192.168.192.1
User name: **user**
Password: **LTE@Endusr**

CAUTION

It is strongly recommended that you change the default login password of the WebUI to prevent unauthorized users from changing the settings.



5 Safety Information

Before using and operating this device, read the following precautions carefully to ensure optimal device performance and avoid dangers or violation of laws and regulations.

Wireless Devices

Do not use this device in areas where the use of wireless devices is prohibited as it may interfere with other devices or present other hazards.

Impact on Medical Equipment

Radio waves generated by the device may interfere with the operation of implanted medical appliances or personal medical appliances, such as the pacemakers, cochlear implants, and hearing aids. If such appliances are used, consult the appliance manufacturer about the restrictions for using the device.

Areas with Inflammables and Explosives

- Do not use the device where inflammables or explosives are stored, for example, in a gas station, oil depot, or chemical plant. Otherwise, explosions or fires may occur. In addition, follow the instructions indicated in text or symbols.
- Do not store or transport the device in containers with flammable liquids, gases, or explosives.

Children Safety

Keep the device, its accessories, and plastic bags out of the reach of children. Otherwise, they may damage the device and its accessories by mistake, or they may swallow the small components of the device or put their heads into the plastic bags, causing suffocation or other dangerous situations.

Accessory Requirements

NOTE: The accessories of the device include the power adapter, cables, and mounting kits.

Use only the accessories supplied by the device manufacturer. Otherwise, the device may be faulty, fail, or even cause fires. Violating the warranty for the device or the laws and regulations related to telecommunications terminals may cause injuries.

Operating Environment

- Use the ODU at an ambient temperature of –40°C to 50°C. An overly high or low ambient temperature may cause device faults.
- Use the ODU at an ambient humidity of 5%RH to 100%RH (non-condensing). An overly high or low ambient humidity may cause device faults.
- The power supply voltage must meet the requirements for the input voltage of the device.
- Keep the device away from electronic appliances that generate strong magnetic or electric fields, such as a transformer, microwave oven, or refrigerator.
- When using the device indoors, avoid dusty, damp, or dirty environments. Using the device in these environments may result in circuit malfunctions.
- Keep the device stable to avoid personal injury or device damage.
- Keep the device away from heat sources, flammable materials, or exposed fire sources.
- Do not install the device in areas exposed to acidic, alkaline, or other corrosive gases.
- Keep the device and accessories in a well-ventilated area. Do not enclose or cover your device with towels or other objects. Do not place the device in a container with poor heat dissipation, such as a box or bag. Poor heat dissipation may damage the device.
- During thunderstorms, power off your device and remove all cables connected to it to protect against device faults or lightning strikes.
- Do not place any object (such as a candle or a water container) on the device to avoid risks caused by liquid leakage. If any foreign object or liquid enters the device, stop using the device immediately, power it off, remove all the connected cables, and then contact your operator.

- The device temperature increases after the device runs for a while. If the device is overheated, avoid contacting it for an extended period. Otherwise, low temperature burn symptoms, such as red spots and darker pigmentation, may occur.
- In the use of the device, do not touch the cable connectors.
- Do not scratch or damage the device shell. Flaking or peeling of the paint may lead to skin allergy or malfunction of the device. If paint flakes and peels drop into the host, a short circuit may occur.

Cleaning and Maintenance

- During storage, transportation, and operation of the device, keep it dry and prevent it from colliding with other objects.
- If the device is not going to be used for an extended period of time, power it off and remove all cables connected to it.
- Keep the power plug clean and dry to prevent electric shocks or other dangers.
- If any exception occurs, for example, if the device emits any smoke or unusual sound or smell, stop using the device immediately, power it off, remove all the cables connected to it, and then contact your operator.
- Do not trample, pull, or overbend any cable. Otherwise, the cable may get damaged, causing malfunction of the device.
- Do not use damaged or aged cables. Using such cables may lead to electric shocks or fire.
- Before cleaning or maintaining the device, stop using it, power it off, and then remove all cables connected to it.
- Use a clean, soft, and dry cloth to clean the device shell. Do not use any chemical detergent, powder, or other chemical agents to clean the device.
- Do not place magnetic stripe cards, such as credit cards and phone cards, or floppy disks, near the device for extended periods of time. Otherwise, the magnetic stripe cards may be damaged or the stored data in the floppy disks may be lost.
- Without authorization, no organization or individual can change the mechanical, safety, or performance design of the device.
- When using the CPE, observe all applicable laws and regulations and respect the legal rights of other people.

Environmental Protection

- Do not dispose of the device and its accessories in a garbage can.
- Dispose of the device according to the local regulations on disposing of packing materials and abandoned devices. Support proper collection and recycling.

RoHS for Environment Protection

This device complies with the RoHS Directive 2011/65/EU and other RoHS directives in other countries.

RF Exposure Information

This device meets the EU requirements and the International Commission on Non-Ionizing Radiation Protection (ICNIRP) on the limitation of exposure of the general public to electromagnetic fields by way of health protection. This device should be installed and operated with a minimum of 20cm spacing to any person at all times.

EU Regulatory Conformance Statement

Hereby, ITS Partner O.B.S S.L. declares that the radio equipment type is in compliance with Directive 2014/53/EU.

Frequency Band and Output Power

The functions of Wireless Access Systems including Radio Local Area Networks (WAS/RLANs) within the band 5150-5850MHz for this device are restricted to indoor use only within all European Union countries (BE/BG/CZ/DK/DE/EE/IE/EL/ES/FR/HR/IT/CY/LV/LT/LU/HU/MT/NL/AT/PL/PT/RO/SI/SK/FI/SE/UK(NI)/TR/NL/O/CH/IS/LI).

ODU LTE 4G:

FDD: Band1/Band3/Band7/Band20/Band28
TDD: Band38/Band40/Band41/Band42/Band43

Output Power of ODU LTE 4G: 23dBm±2dB